

Manta. Industrial flexibility.



Manta **GIGEVISION**

- Very economical price
- Three programmable 12-bit LUTs, color correction
- Modular design, large choice of housing variants
- Power over Ethernet option (PoE), RS232 included

Manta									
L x W x H = 86.4 x 44 x 29 mm incl. connectors, w/o tripod and lens. Mass < 200 g									
Model	Interface	Resolution	MPixels	Frame rate	Sensortype	Sensor	Cell size	A/D	Memory
G-031B/C	GigE	652 x 492	0.3	125 fps	1/4 CCD	Sony ICX618	5.6 µm	14 bits	32 MB
G-032B/C	GigE	656 x 492	0.3	80 fps	1/3 CCD	Sony ICX424	7.4 µm	12 bits	32 MB
G-033B/C	GigE	656 x 492	0.3	88 fps	1/2 CCD	Sony ICX414	9.9 µm	14 bits	32 MB
G-046B/C	GigE	780 x 580	0.5	67 fps	1/2 CCD	Sony ICX415	8.3 µm	14 bits	32 MB
G-095C	GigE	1292 x 734	0.9	40 fps	1/3 CCD	Sony ICX692	4.08 µm	14 bits	32 MB
G-125B/C	GigE	1292 x 964	1.2	30 fps	1/3 CCD	Sony ICX445	3.75 µm	14 bits	32 MB
G-145B/C (-30fps)	GigE	1388 x 1038	1.4	16/31 fps	2/3 CCD	Sony ICX285	6.45 µm	14 bits	32 MB
G-145B NIR	GigE	1388 x 1038	1.4	15 fps	2/3 CCD	Sony ICX285	6.45 µm	14 bits	32 MB
G-146B/C	GigE	1388 x 1038	1.4	17 fps	1/2 CCD	Sony ICX267	4.65 µm	14 bits	32 MB
G-201B/C (-30fps)	GigE	1624 x 1234	2	14/30 fps	1/1.8 CCD	Sony ICX274	4.4 µm	14 bits	32 MB
G-223B/C * NEW	GigE	2048 x 1088	2.2	50 fps	2/3 CMOS	CMOSIS CMV2000	5.5 µm	12 bits	128 MB
G-223B NIR* NEW	GigE	2048 x 1088	2.2	50 fps	2/3 CMOS	CMOSIS CMV2000	5.5 µm	12 bits	128 MB
G-282B/C * NEW	GigE	1936 x 1458	2.8	30 fps	1/1.8 CCD	Sony ICX687	3.69 µm	14 bits	128 MB
G-283B/C * NEW	GigE	1936 x 1458	2.8	30 fps	2/3 CCD	Sony ICX674	4.54 µm	14 bits	128 MB
G-419B/C * NEW	GigE	2048 x 2048	4.2	25 fps	1/1 CMOS	CMOSIS CMV4000	5.5 µm	12 bits	128 MB
G-419B NIR* NEW	GigE	2048 x 2048	4.2	25 fps	1/1 CMOS	CMOSIS CMV4000	5.5 µm	12 bits	128 MB
G-504B/C	GigE	2452 x 2056	5	9 fps	2/3 CCD	Sony ICX655	3.45 µm	14 bits	32 MB
G-505B/C* NEW	GigE	2452 x 2056	5	15 fps	2/3 CCD	Sony ICX625	3.45 µm	14 bits	32 MB
G-609B/C* NEW	GigE	2752 x 2206	6	15 fps	1/1 CCD	Sony ICX694	4.54 µm	14 bits	128 MB
G-917B/C* NEW	GigE	3384 x 2710	9	10 fps	1/1 CCD	Sony ICX814	3.69 µm	14 bits	128 MB

*All data for these cameras are preliminary



Manta cameras are optionally available with PoE
(Power over Ethernet)

MANTA standard housing (type A)

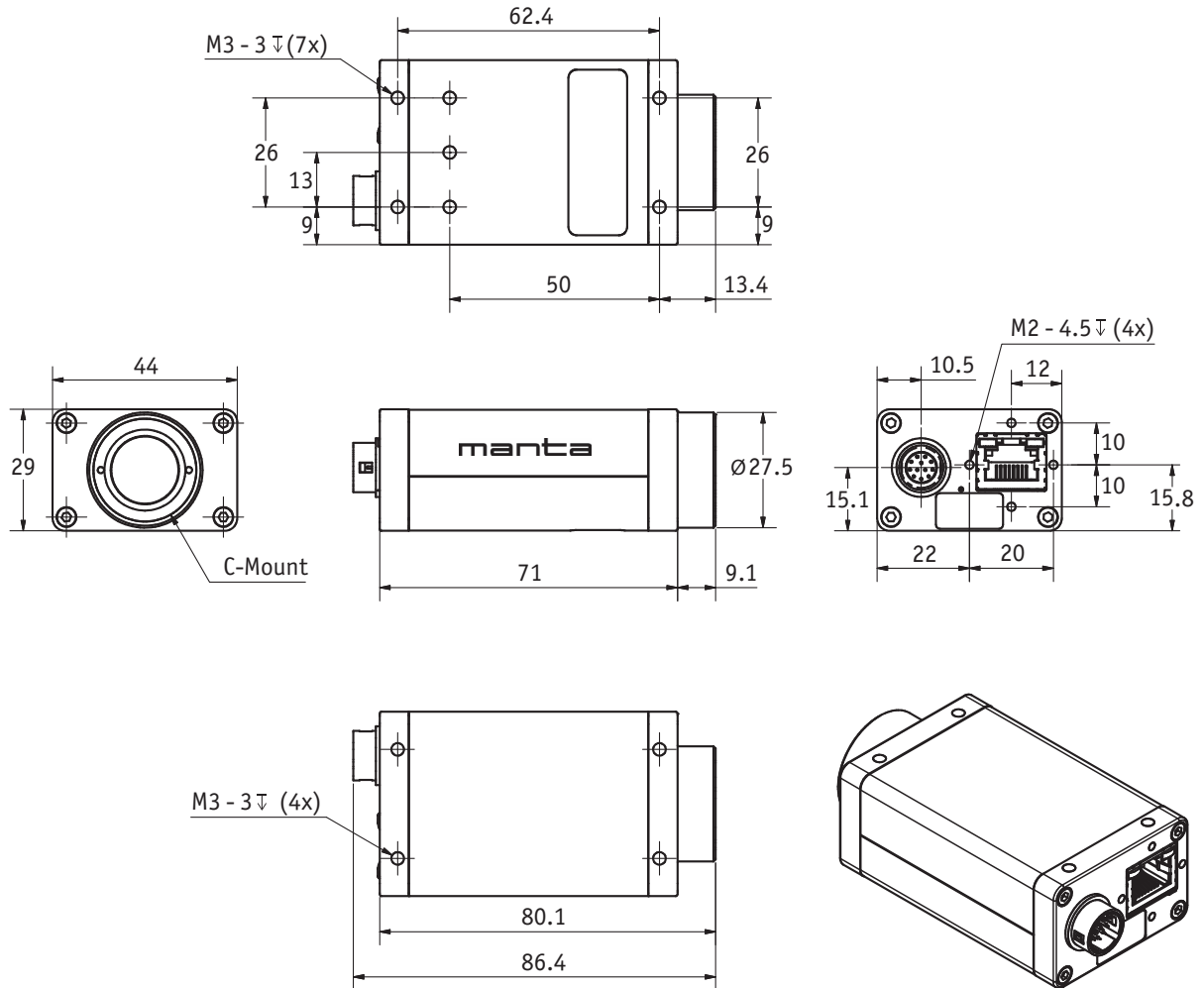


Figure 43: Camera dimensions standard housing type A
 G-031 / 032 / 033 / 046 / 095 / 125 / 145 / 146 / 201 / 504

Manta standard housing (type B)

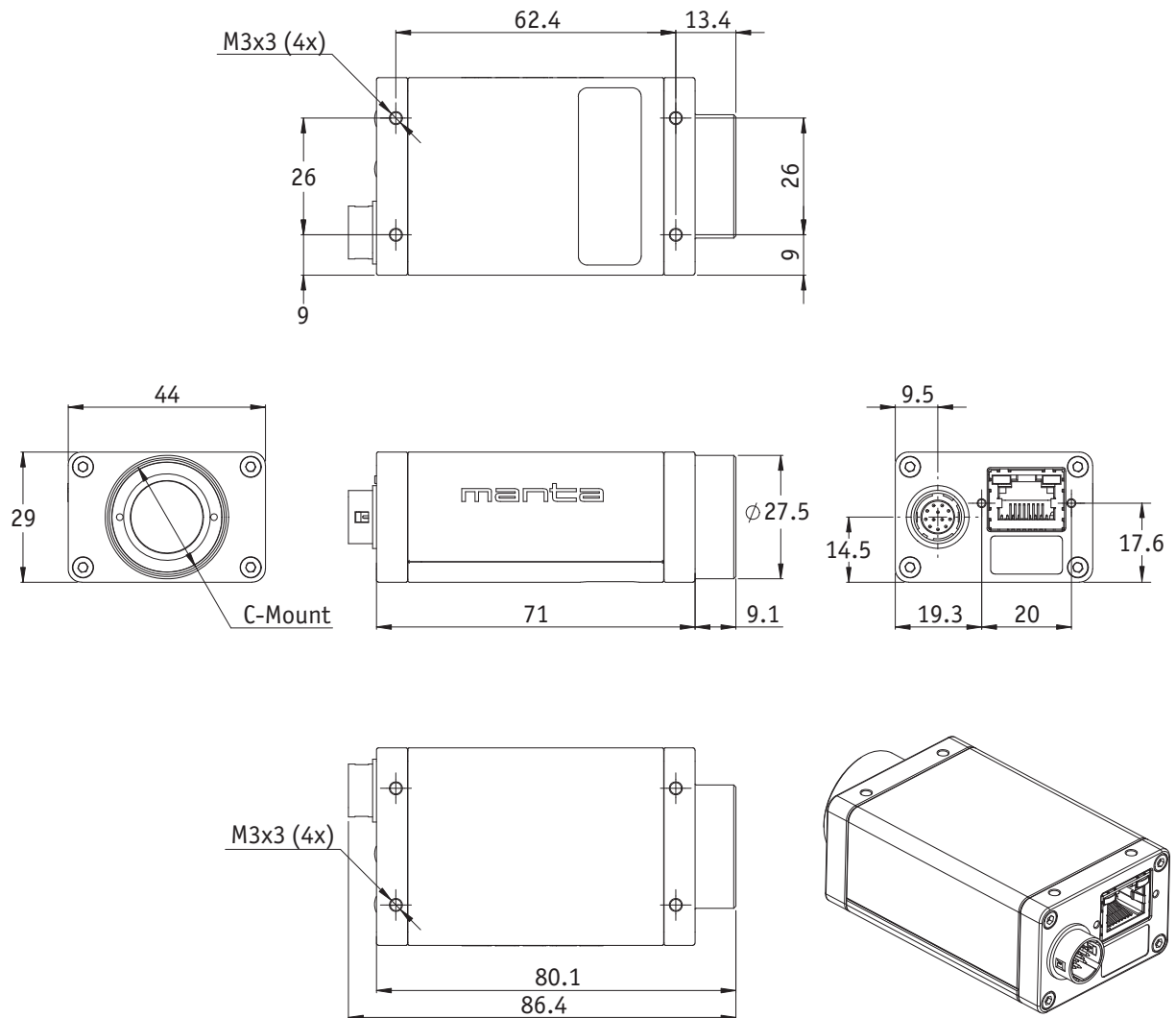


Figure 59: Camera dimensions type B
G-223 / 282 / 283 / 419 / 609 / 917