

(A) Lightline polarizer assembly, A08845, (B) Polarizer affixed to a 5" lightline, (C) Polarizer affixed to a cylindrical lens on a lightline

# Lightline Linear Polarizer Kits

## Features

- Developed for use with 3" to 16" (227 to 406 mm) lightlines to enhance contrast on highly reflective surfaces for area and line scanning applications.
- Easily mount on **SCHOTT** lightlines alone or with cylindrical and apertured lenses affixed to the lightline.
- The polarizer(s) should be used with an analyzer supplied by the customer. The analyzer is typically attached to the camera objective.
- Two polarizers are included in the kit; one polarizes in the horizontal axis and the other polarizes in the vertical axis.
- Manufactured in the USA.

LIGHTLINES

## Linear Polarizer Kits

Lightline Part No.	Polarizer Kits Part No.
A08903	A08843
A08904	A08844*
A08905	A08845*
A08906	A08846
A08907*	A08847
A08908	A08848*
A08909*	A08849*
A08910	A08850
A08911*	A08851*
A08912	A08852*
A08913*	A08853*
A08914	A08854*
A08915*	A08855*

\* Lead time required

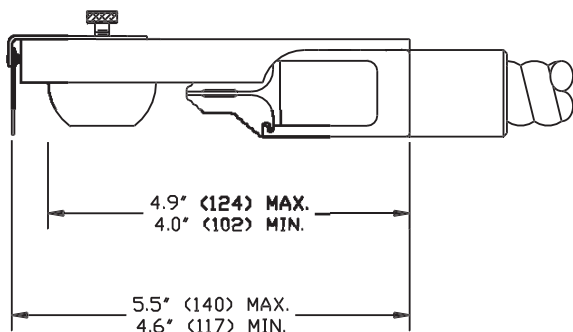
# Lightline Linear Polarizer Kits

Dimensions in ( ) are in mm

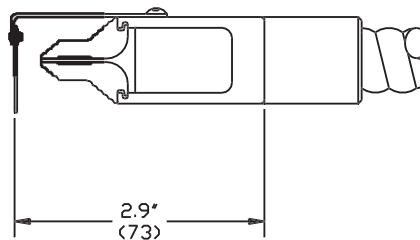
TECHNICAL SPECIFICATIONS

A08843 - A08856  
Polarizers

WITH LENS ASSEMBLY:



WITHOUT LENS ASSEMBLY:



Fiber Optics  
SCHOTT North America, Inc.  
62 Columbus Street  
Auburn, NY 13021-3137  
USA  
Phone: +1315/255-2791  
Fax: +1315/255-2695  
E-mail: [fiberoptics.auburn@us.schott.com](mailto:fiberoptics.auburn@us.schott.com)  
[www.us.schott.com/fiberoptics](http://www.us.schott.com/fiberoptics)

# SCHOTT