

## MegaPlus ES3200

3.2 megapixels | Full Frame CCD | Large Dynamic Range



The MegaPlus ES3200 is a 3.2 megapixel CCD camera that uses a full frame CCD sensor with 100% fill factor for excellent sensitivity and resolution. It is uniquely designed to separate and isolate the camera's primary electronics from the sensor cooling path resulting in true 12-bits per pixel at virtually any operating temperature. By keeping the sensor temperature low, both dark noise and thermal drift are significantly reduced, making the camera the perfect solution for the most demanding scientific and industrial applications. The ES3200 is ideal for applications where intrascenic dynamic range -ability to capture both bright and dim signals in the same image -is important.

**Applications:** Medical Imaging, Scientific Imaging, Ophthalmology

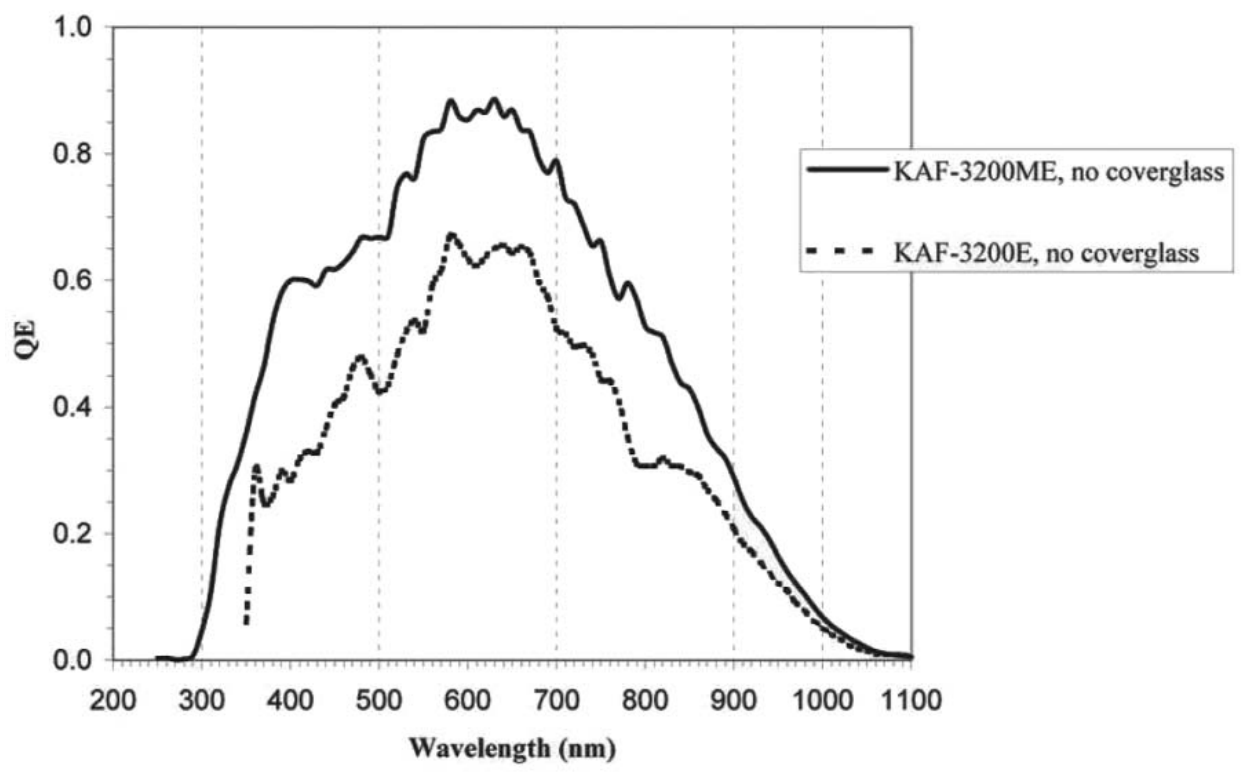
Features	Benefits
3.2 megapixel Resolution (2184 x 1472 pixels)	Resolves fine detail
Two piece camera design	Provides the best imaging performance with lower noise and larger dynamic range by lowering the sensor operating temperature.
Full Frame Progressive Scan CCD	100% fill factor provides excellent sensitivity.
Patented Mechanical Shutter	Reliable performance year after year, thanks to mechanical shutter rated for millions of cycles
CameraLink or Firewire (IEEE-1394a) Interface	High bandwidth CameraLink or seamless, plug-n-play Firewire connection to PC notebooks and desktops.
12-bits per pixel	Quantifies full range of light levels in a single image
Compact design	Small footprint design optimized for integration into applications where space is at a premium

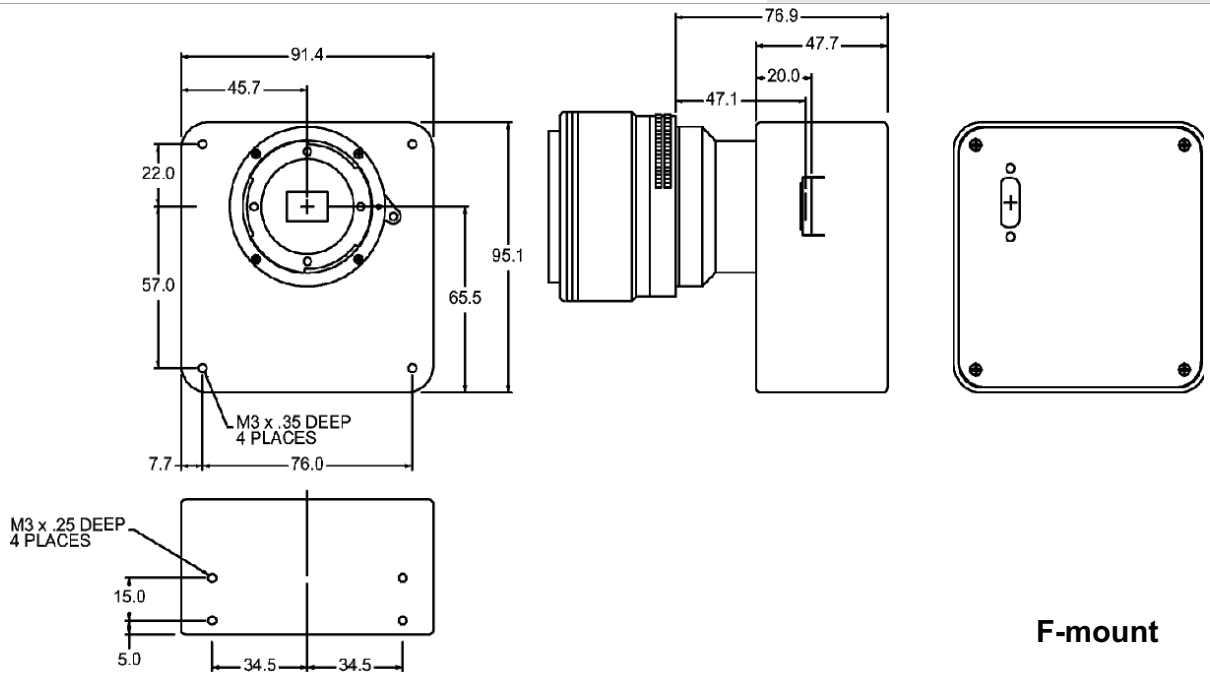
## MegaPlus ES3200 Specifications

CCD Imager	
Imaging Device	KAF-3200E/ME, CCD, Mono
Sensor Readout	Full Frame, progressive scan
Pixel Size	6.8 $\mu\text{m}$ x 6.8 $\mu\text{m}$
Resolution	2184 x 1472, 3.2 megapixels
Imager Size (diagonal)	16.6 mm
Active Area	14.8 mm (h) x 10 mm (v)
Aspect Ratio	3:2
Sensor dynamic range	78 dB
Shuttering	Electronic
Imaging Performance	
Output Bit Depth	8-, 10-, or 12-bits per pixel
Sensor Clock Rate	12 MHz
Minimum Shutter Speed	2 msec
Max. Frame Rate (CameraLink)	2.9 fps
Max. Frame Rate (IEEE1394a)	2.5 fps
Max. Frame Rate w/ 2x2 Binning	4.96 fps
Max. Frame Rate w/ 4x4 Binning	7.68 fps
Exposure Settings	
Gain Settings	0-36 dB
Binning	Yes
Anti-blooming	Yes
Trigger Modes	Edge, Level, Periodic interval (self)
Mechanical Description	
Lens Mount	F-mount, C-Mount (Other mounts available upon request)
Camera Head Cable	2m, 5m, 7m
Camera Head Dimensions	91.4 mm x 78.6 mm x 95.1 mm (LxDxH) F-mount 91.4 mm x 47.3 mm x 95.1 mm (LxDxH) C-mount
Controller Dimensions	160.7 mm x 158.3 mm x 50.8 mm (LxDxH) multi-head controller 158.8 mm x 152 mm x 38.1 mm (LxDxH) single-head controller
Camera Head Weight	625 grams
Controller Weight	1140 grams multi-head controller 992 grams single-head controller
Environmental	
Operating Temperature	0 - 40 °C, non-condensing
Vibration	3G, sinusoidal from 10 to 500 Hz
Shock	5G
Power Consumption (Single Head with Controller)	15 watts
Certification	CE
Input/Output	
CameraLink	Base, Medium, Dual Base
Firewire	1394a
Serial	RS232
Trigger In	BNC, TTL
Trigger Out	BNC, TTL
Ethernet	10/100/1000 Base-T

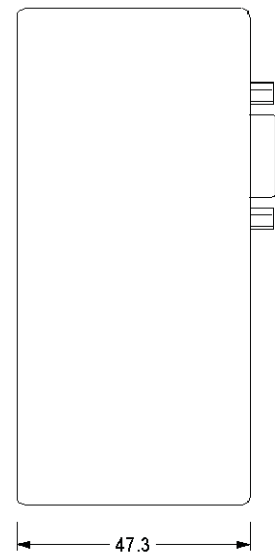
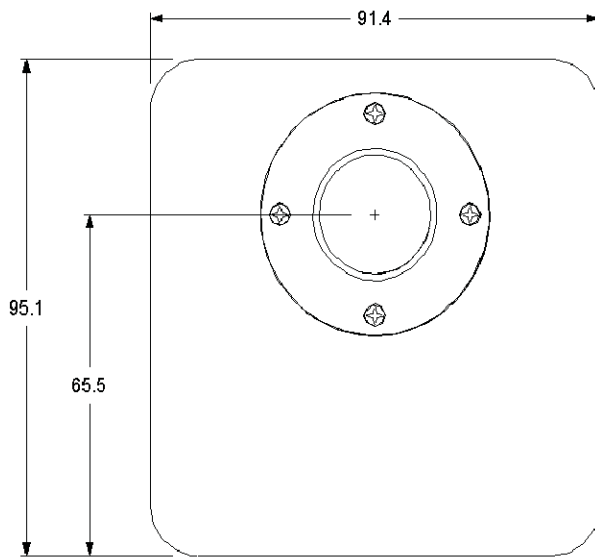
Note: Specifications are subject to change.

### KAF-3200ME Spectral Response





**F-mount**



**C-mount**

[All dimensions are in mm]



[www.piacton.com](http://www.piacton.com)

email: [moreinfo@piacton.com](mailto:moreinfo@piacton.com)

USA +1.877.4 PIACTON | Benelux +31 (347) 324989

France +33 (1) 60.86.03.65 | Germany +49 (0) 89.660.779.3

UK +44 (0) 28.38310171 | Asia/Pacific +65.6293.3130

China +86 135 0122 8135 | Japan +81.3.5639.2741