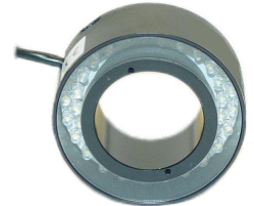


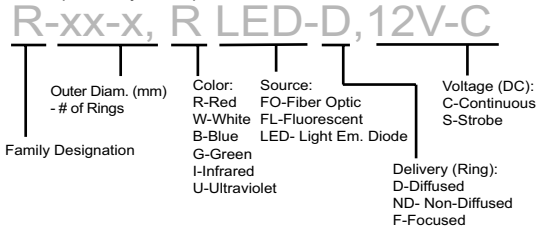
NERLITE® R-60-1 "V2" Series Ring

R-60-1 "V2" Series Ring Illuminators feature 24 LEDs in a single ring configuration. Building on the design of our original Ring Illuminators, these new models offer enhancements to mounting and accessory installation that make them class leaders in application versatility. Lens adapter options permit direct mounting to lens filter threads or to lens barrel. A wide selection of model choices... diffused, non-diffused, or focused – red or white spectrums – 12 or 24 volt power – continuous or strobed ...assures broad application coverage. For applications where more light intensity is required, see the [R-60-2](#) (two rings of 24 LEDs for a total of 48 LEDs). R-60-1 V2 Ring Illuminators are ideal for applications that require illumination of diffused surfaces.

MODEL#	DESCRIPTION
RVA:0106060	R-60-1 V2, R LED 0 = ND, 1 = D, 2 = F 70, 3 = F 102, 4 = F 127 0 = 12V-C, 1 = 24V-C, 2 = 24V-S
RVA:0106060	R-60-1 V2, W LED 0 = ND, 1 = D, 2 = F 70, 3 = F 102, 4 = F 127 3 = 12V-C, 4 = 24V-C, 5 = 24V-S



Description Key Example



Illumination & Electrical:

Lighting Technique:

Ring
34.5 mm (1.36 in.)

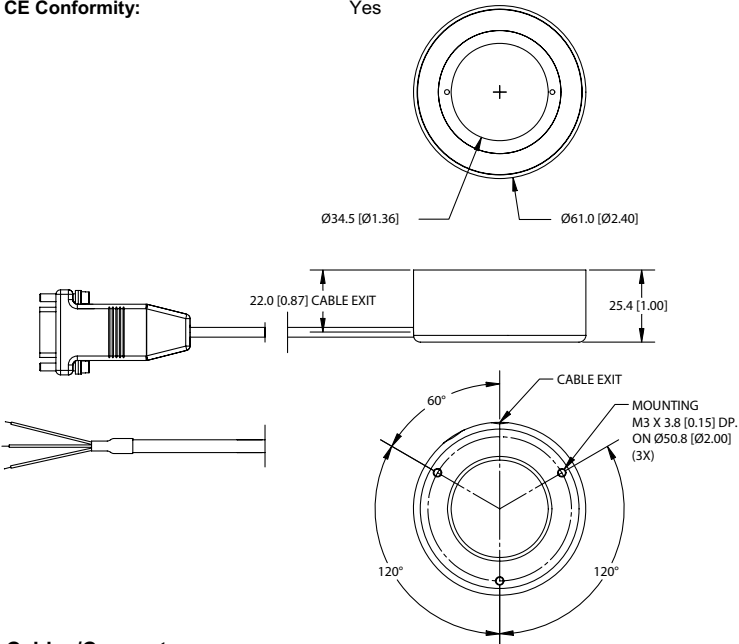
Light Aperture:

Light Characteristics:

Source	Color (nm)	Exp. Life	Voltage/Current (max.)		
			12V-C	24V-C	24V-S
LED	Red + (660)	50k hrs.	84 mA	46 mA	0.8 A pk.
LED	White - 6500 Kelvin	10k hrs.	160 mA	80 mA	1.6 A pk.

CE Conformity:

Yes



Cables/Connectors:

	Connector	Length	Pin#	1	2	3	4	5	6	7	8	9
12V-C Models	9 pin D-sub Male	2.0 M (6.6 ft.)		n/a	n/a	GND	+12VDC	n/a	n/a	n/a	n/a	n/a
24V-S Models	9 pin D-sub Male	2.0 M (6.6 ft.)		V-	n/a	n/a	+24VDC	n/a	n/a	n/a	n/a	n/a
24V-C Models ¹	9 pin D-sub Male ¹	2.0 M (6.6 ft.)		n/a	n/a	n/a	n/a	n/a	n/a	+24VDC	n/a	GND

¹ Note: 24V-C Models w/"Flying Leads" have a 4.5 M (15 ft.) cable with two (2) tinned leads and no connector; leads are labeled GND and V+ (+24VDC)

Mechanical:

OD x ID x H (mm/in.):

61.0 mm x 34.5 mm x 25.4 mm
(2.40 in. x 1.36 in. x 1.0 in.)

Mounting:

Housing Material:

(3) M3 X 3.8 mm (0.15 in.) Deep

Weight:

Black Anodized Aluminum
133 grams (0.29 lbs.)

Environmental:

Max. Operating Humidity

95% non-condensing

Operating Temp.

40°C (104°F)

Storage Temp.

50°C (122°F)

Accessories:

Part #	Description	Models Used On
RVA:010901900	SCM-2, 2 Channel Strobe Cntrl.	24V-S
RVA:010501401	CPS-24, 24VDC, US cord	24V-S ¹
RVA:010501401	CPS-24, 24VDC, EU cord	24V-S ¹
RVA:010502601	CPS-24T, 24VDC US w/9-pin D-sub	24V-C & 24V-S ^{1,2}
RVA:010502602	CPS-24T, 24VDC EU w/9-pin D-sub	24V-C & 24V-S ^{1,2}
RVA:010500301	CPS-12 3.5A, 12VDC, US Cord	12V-C
RVA:010500303	CPS-12 3.5A, 12VDC, EU Cord	12V-C
RVA:010502700	ICM-1, M/D Intensity Cntrl, 12V-C	12V-C
RVA:010502701	ICM-1, M/D Intensity Cntrl, 24V-C	24V-C ²
RVA:010502702	SCM-1, 1 Channel M/D Strobe Cntrl.	24V-S
RVA:010503500	VPS-II, 2 Ch. Variable PS, US Cord	12V-C
RVA:010503501	VPS-II, 2 Ch. Variable PS, EU Cord	12V-C
RVA:030003702	Ext. Cable, Cont., 1.8 M (6 ft.)	12V-C & 24V-C
RVA:030003703	Ext. Cable, Cont., 3.0 M (10 ft.)	12V-C & 24V-C
RVA:030007006	Ext. Cable, Strobe, 1.8 M (6 ft.)	24V-S
RVA:030007010	Ext. Cable, Strobe, 3.0 M (10 ft.)	24V-S
RVA:030006900	Y cable, 2 Lights, 9 pin D-sub Strb.	24V-S
RVA:030003601	Y cable, 2 Lights, 9 pin D-sub Cont.	12V-C & 24V-C
RVA:010026300	Lens Adptr, Clamp-On, Nylon Screws, 34.4mm ID ³	All
RVA:080108200	Lens Adptr, Fltr Thrd Mnt 25.5 x 0.5mm, 23.0mm ID ³	All
RVA:080108201	Lens Adptr, Fltr Thrd Mnt 27.0 x 0.5mm, 24.4mm ID ³	All
RVA:080108203	Lens Adptr, Fltr Thrd Mnt 30.5 x 0.5mm, 27.5mm ID ³	All
RVA:080108202	Lens Adptr, Fltr Thrd Mnt 40.5 x 0.5mm, 34.4mm ID ³	All
RVA:080108204	Lens Adptr, Fltr Thrd Mnt 25.0 x 0.75mm, 22.4mm ID ³	All

¹ RVA:01050140x used only with RVA:010901900;

² RVA:01050260x used with either RVA:010502702 or 24V-C lights with DB-9 connectors

³ See Lens Adapter Spec sheet at <http://www.nerlite.com/pdfs/ner-lens-adapters-v2-rings.pdf>

² 24V-C accessories are not available for "Flying Leads" configurations