



8" x 8" Backlight, A08927



Dual 2" x 2" Backlight, A08922



Backlight Color Filter Adapter, A08931

# Single and Dual Backlights

Patented **SCHOTT** Backlights are calibrated to provide bright, even illumination for Microscopy and Machine Vision applications

## Features

- Calibrated from  $\pm 13$  to  $\pm 15$  gray scale levels at a mean of 200, gamma setting of 1.0, using a patented process to create diffuse, uniform illumination within the active area. Line scans are available upon request.
- The white acrylic diffuser plate provides the optimum combination of uniformity and intensity. The backlight housing is made of rugged, black anodized aluminum. The plastic fiber bundle is protected with flexible PVC covered metal tubing.
- Use with strobes and ColdVision Series light sources. Other sources, particularly those without an IR filter, may damage the plastic fibers.
- All our dichroic color filters can be used on the products in conjunction with the A08931 backlight color filter adapter (see photo to left). More details can also be found in the Fiber Optic Accessory section of the product catalog.
- Manufactured in the USA.

## Advantages

- Compact, low profile housing fits in small spaces.
- Can be used to create a crisp edge definition, or soft, diffuse incident light.
- Dual and quad backlights increase lighting versatility. Additional combinations and sizes can be custom ordered.

BACKLIGHTS

Backlights					
Part No.	Active Area	Housing Dimensions	Gray Scales	Bundle Length	Common Bundle Length
<b>Single Configuration</b>					
A08920	2" x 2" (51 x 51)	4" x 2.6" x .59" (102 x 66 x 14.9)	$\pm 13$	40" (1016)	N/A
A08923	3" x 3" (76 x 76)	6" x 3.5" x .75" (152 x 89 x 16)	$\pm 13$	40" (1016)	N/A
A08925	4" x 4.88" (102 x 124)	9" x 5" x .78" (229 x 127 x 19.7)	$\pm 13$	40" (1016)	N/A
A08927	8" x 8" (203 x 203)	12" x 9" x 1" (305 x 229 x 25.4)	$\pm 15$	40" (1016)	N/A
<b>Dual Configuration</b>					
A08922	2" x 2" (51 x 51)	4" x 2.6" x .59" (102 x 66 x 14.9)	$\pm 13$	42" (1067)	10" (254)
A08924	3" x 3" (76 x 76)	6" x 3.5" x .75" (152 x 89 x 15.9)	$\pm 13$	40" (1016)	10" (254)
A08926	4" X 4.88" (102 X 124)	9" X 5" X .78" (229 X 127 X 19.7)	$\pm 13$	37" (940)	10" (254)



# Single and Dual Backlights

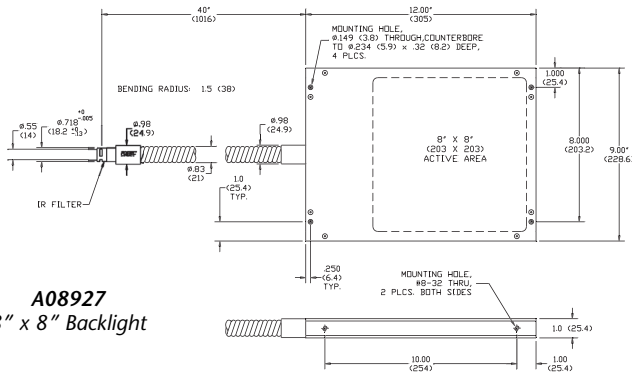
Dimensions in ( ) are in mm

**Input:** Black Anodized Aluminum

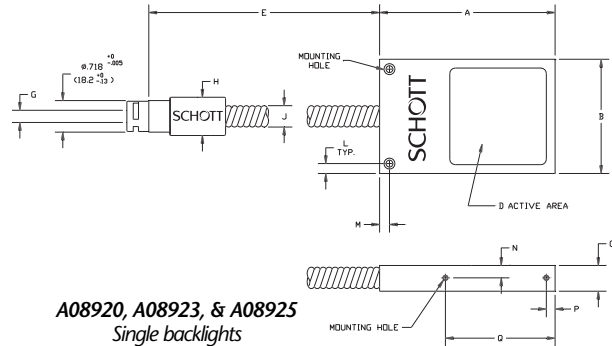
**Bundle Sheathing:** PVC Covered Metal Tubing

**Max Fiber Temperature:** 70°

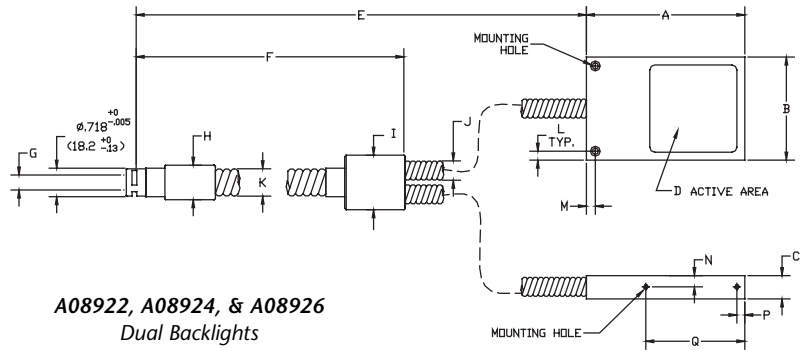
**Warning:** The IR filter on the input protects the fibers from damage caused by IR absorption.



**A08927**  
8" x 8" Backlight



**A08920, A08923, & A08925**  
Single backlights



**A08922, A08924, & A08926**  
Dual Backlights

TECHNICAL SPECIFICATIONS

Matrix for Single and Dual Backlights			
Part No.	Housing Dimensions LX W X H	Active Area	Overall Bundle Length
Ref. Letter	A, B, C	D	E
<b>A08920</b>	4" x 2.6" x .59" (102 x 66 x 14.9)	2" x 2" (51 x 51)	40" (1016)
<b>A08922</b>	4" x 2.6" x .59" (102 x 66 x 14.9)	2" x 2" (51 x 51)	42" (1067)
<b>A08923</b>	6" x 3.5" x .75" (152 x 89 x 19.1)	3" x 3" (76 x 76)	40" (1016)
<b>A08924</b>	6" x 3.5" x .75" (152 x 89 x 15.9)	3" x 3" (76 x 76)	40" (1016)
<b>A08925</b>	9" x 5" x .78" (229 x 127 x 19.7)	4" x 4.88" (102 x 124)	37" (940)
<b>A08926</b>	9" x 5" x 7.8" (229 x 127 x 19.8)	4" x 4.88" (102 x 124)	37" (940)

Matrix for Single and Dual Backlights (Continuation)										
Part No.	Common Bundle Length	Active Input Dia.	Ferrule Dia	Coupler Dia	Tubing Dia	Top Mounting Hole Location	Top Mounting Hole Dimensions	Side Mounting Hole Location	Side Mounting Hole Dimensions	Bend Radius
Ref. Letter	F	G	H	I	JK	L/M	THRU/DIA/C'BORE DIA/DEPTH	N/P/Q	THREAD/DEPTH	
<b>A08920</b>	N/A	.28" (7.0)	.87" (22.1)	N/A	.47" (12)	.225"/.225" (5.72/5.72)	.156"/.25"/.150" (4.0/6.4/3.8)	28"/.20"/2.50" (7.2/5.1/63.5)	#4-40 UNC 2A/.38 (9.6)	.6" (15)
<b>A08922</b>	10" (254)	.39" (9.9)	.87" (22.1)	1.38" (34.9)	.47"/.67" (12/17)	.225"/.225" (5.72/5.72)	.156"/.25"/.150" (4.0/6.4/3.8)	.28"/.20"/2.50" (7.16/5.1/63.5)	#4-40 UNC 2A/.38 (9.6)	.6"/1.2" (15)/(30)
<b>A08923</b>	N/A	.32" (8.1)	.87" (22.1)	N/A	.60" (15)	.187"/.187" (4.75/4.75)	.177"/.28"/.165" (4.5/7.1/4.2)	.32"/1.00"/5.00" (8.1/25.4/127)	#6-32/.25" (6.4)	1" (25)
<b>A08924</b>	10" (254)	.46" (11.7)	.87" (22.1)	1.38" (34.9)	.60"/.83" (15/21)	.187"/.187" (4.75/4.75)	.177"/.28"/.165" (4.5/7.1/4.2)	.32"/1.00"/5.00" (8.1/25.4/127)	#6-32/.25" (6.4)	1"/1.5" (25)/(38)
<b>A08925</b>	N/A	.39" (9.9)	.87" (22.1)	N/A	.68" (17.3)	.425"/.425" (10.80/10.80)	.250"/.50"/.300" (6.4/12.7/7.6)	.36"/.20"/5.75" (9.1/5.08/151)	#6-32 UNC2A/.38 (9.6)	1" (25)
<b>A08926</b>	10" (254)	.55" (13.8)	.98" (24.9)	1.50" (38.1)	.68"/.83" (17/21)	.425"/.425" (10.80/10.80)	.250"/.50"/5.00" (6.4/12.7/7.6)	.36"/.20"/5.75" (9.1/5.08/146)	#6-32 UNC 2A/.38" (9.6)	1/1.5" (25)/(38)

Fiber Optics  
**SCHOTT North America, Inc.**  
 62 Columbus Street  
 Auburn, NY 13021-3137  
 USA  
 Phone: +1315/255-2791  
 Fax: +1315/255-2695  
 E-mail: [fiberoptics.auburn@us.schott.com](mailto:fiberoptics.auburn@us.schott.com)  
[www.us.schott.com/fiberoptics](http://www.us.schott.com/fiberoptics)

